

Network Working Group  
Request for Comments: 4968  
Category: Informational

S. Madanapalli, Ed.  
Ordyn Technologies  
August 2007

## Analysis of IPv6 Link Models for IEEE 802.16 Based Networks

### Status of This Memo

This memo provides information for the Internet community. It does not specify an Internet standard of any kind. Distribution of this memo is unlimited.

### Copyright Notice

Copyright (C) The IETF Trust (2007).

### Abstract

This document provides different IPv6 link models that are suitable for IEEE 802.16 based networks and provides analysis of various considerations for each link model and the applicability of each link model under different deployment scenarios. This document is the result of a design team (DT) that was formed to analyze the IPv6 link models for IEEE 802.16 based networks.

## Table of Contents

1.	Introduction . . . . .	2
2.	Terminology . . . . .	3
3.	IPv6 Link Models for IEEE 802.16 Based Networks . . . . .	3
3.1.	Shared IPv6 Prefix Link Model . . . . .	3
3.1.1.	Prefix Assignment . . . . .	5
3.1.2.	Address Autoconfiguration . . . . .	5
3.1.3.	Duplicate Address Detection . . . . .	5
3.1.4.	Considerations . . . . .	6
3.1.5.	Applicability . . . . .	7
3.2.	Point-to-Point Link Model . . . . .	7
3.2.1.	Prefix Assignment . . . . .	8
3.2.2.	Address Autoconfiguration . . . . .	8
3.2.3.	Considerations . . . . .	8
3.2.4.	Applicability . . . . .	9
3.3.	Ethernet-Like Link Model . . . . .	10
3.3.1.	Prefix Assignment . . . . .	10
3.3.2.	Address Autoconfiguration . . . . .	10
3.3.3.	Duplicate Address Detection . . . . .	10
3.3.4.	Considerations . . . . .	11
3.3.5.	Applicability . . . . .	11
4.	Renumbering . . . . .	11
5.	Effect on Dormant Mode . . . . .	12
6.	Effect on Routing . . . . .	12
7.	Conclusions and Relevant Link Models . . . . .	13
8.	Security Considerations . . . . .	13
9.	Acknowledgements . . . . .	13
10.	Contributors . . . . .	14
11.	References . . . . .	14
11.1.	Normative References . . . . .	14
11.2.	Informative References . . . . .	14

## 1. Introduction

IEEE 802.16 [4] [5] is a point-to-multipoint, connection-oriented access technology for the last mile without bi-directional native multicast support. IEEE 802.16 has defined only downlink multicast support. This leads to two methods for running IP protocols that traditionally assume the availability of multicast at the link layer. One method is to use bridging, e.g., IEEE 802.1D [6], to support bi-directional multicast. Another method is to treat the IEEE 802.16 MAC (Message Authentication Code) transport connections between an MS (Mobile Station) and BS (Base Station) as point-to-point IP links so that the IP protocols (e.g., ARP (Address Resolution Protocol), IPv6 Neighbor Discovery) can be run without any problems.

This is further complicated by the definition of commercial network models like WiMAX, which defines the WiMAX transport connection that extends the IEEE 802.16 MAC transport connection all the way to an access router by using a tunnel between the base station and the access router [14]. This leads to multiple ways of deploying IP over IEEE 802.16 based networks.

This document looks at various considerations in selecting a link model for IEEE 802.16 based networks and provides an analysis of the various possible link models. And finally, this document provides a recommendation for choosing one link model that is best suitable for the deployment.

## 2. Terminology

The terminology in this document is based on the definitions in [6], in addition to the ones specified in this section.

**Access Router (AR):** An entity that performs an IP routing function to provide IP connectivity for Mobile Stations. In WiMAX Networks, the AR is an Access Service Network Gateway.

**Access Service Network (ASN) -** The ASN is defined as a complete set of network functions needed to provide radio access to a WiMAX subscriber. The ASN is the access network to which the MS attaches. The IPv6 access router is an entity within the ASN. The term ASN is specific to the WiMAX network architecture.

**Dormant Mode:** A state in which a mobile station restricts its ability to receive normal IP traffic by reducing monitoring of radio channels. This allows the mobile station to save power and reduces signaling load on the network. In the dormant mode, the MS is only listening at scheduled intervals to the paging channel. The network (e.g., the AR) maintains state about an MS that has transitioned to dormant mode and can page it when needed.

## 3. IPv6 Link Models for IEEE 802.16 Based Networks

This section discusses various IPv6 link models for IEEE 802.16 based networks and provides their operational considerations in practical deployment scenarios.

### 3.1. Shared IPv6 Prefix Link Model

In this model, all MSs attached to an AR share one or more prefixes for constructing their global IPv6 addresses, however this model does not provide any multicast capability. The following figures illustrates a high-level view of this link model wherein one or more

prefixes advertised on the link would be used by all the MSs attached to the IPv6 link.

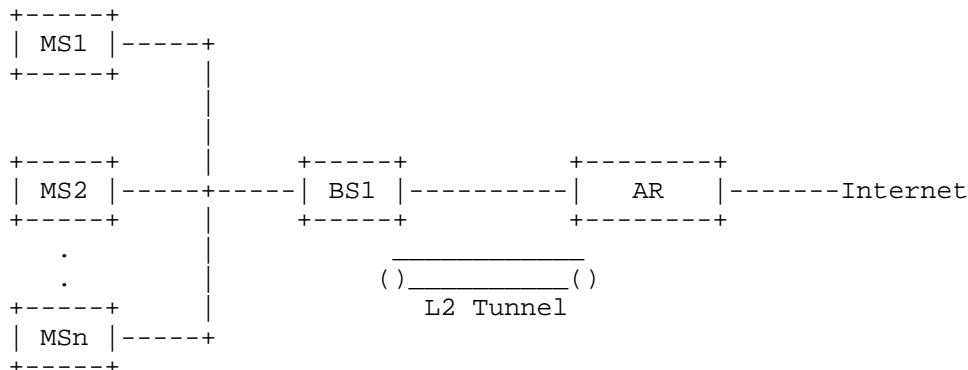


Figure 1. Shared IPv6 Prefix Link Model

The above figure shows the case where the BS and AR exist as separate entities. In this case, a tunnel exists between the BS and AR per MS basis.

In this link model, the link between the MS and the AR at the IPv6 layer is viewed as a shared link, and the lower layer link between the MS and BS is a point-to-point link. This point-to-point link between the MS and BS is extended all the way to the AR when the granularity of the tunnel between the BS and AR is on a per MS basis. This is illustrated in the following figure below.

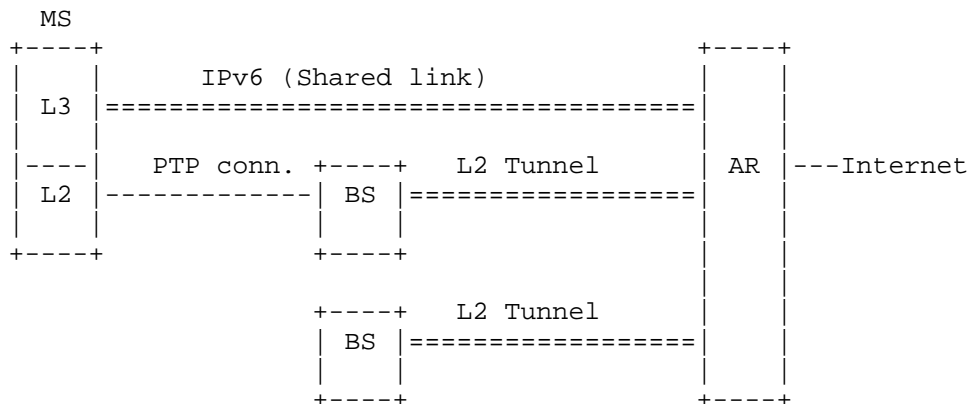


Figure 2. Shared IPv6 Prefix Link Model - Layered View

In this link model, an AR can serve one or more BSs. All MSs connected to BSs that are served by an AR are on the same IPv6 link. This model is different from an Ethernet Like Link model wherein the later model provides an Ethernet link abstraction and multicast capability to the IPv6 layer, whereas the Shared IPv6 Prefix Link Model defined here does not provide native link-layer multicast and broadcast capabilities.

### 3.1.1. Prefix Assignment

One or more IPv6 prefixes are assigned to the link and hence shared by all the nodes that are attached to the link. The prefixes are advertised with the autonomous flag (A-Flag) set and the On-link flag (L-flag) reset for address autoconfiguration so that the nodes may not make an on-link assumption for the addresses in those prefixes.

### 3.1.2. Address Autoconfiguration

The standard IPv6 address autoconfiguration mechanisms, which are specified in [2] [3], are used.

### 3.1.3. Duplicate Address Detection

The DAD procedure, as specified in [2], does not adapt well to the IEEE 802.16 air interface as there is no native multicast support. The DAD can be performed with MLD (Multicast Listener Discovery) snooping [7] and the AR relaying the DAD probe to the address owners in case the address is a duplicate, called Relay DAD. In this method, the MS behavior is the same as specified in [2] and the optimization is achieved with the support of AR, which maintains the MLD table for a list of multicast addresses and the nodes that joined the multicast address. The relay DAD works as below:

1. An MS constructs a Link Local Address as specified in [2].
2. The MS constructs a solicited node multicast address for the corresponding Link Local Address and sends an MLD Join request for the solicited node multicast address.
3. The MS starts verifying address uniqueness by sending a DAD NS on the initial MAC transport connection.
4. The AR consults the MLD table for who joined the multicast address. If the AR does not find any entry in the MLD table, the AR silently discards the DAD NS. If the AR finds a match, the AR relays the DAD NS to the address owner.

5. The address owner defends the address by sending DAD NA, which is relayed to the DAD originating MS via the AR.
6. If the DAD originating MS does not receive any response (DAD NA) to its DAD NS, the MS assigns the address to its interface. If the MS receives the DAD NA, the MS discards the tentative address and behaves as specified in [2].

#### 3.1.4. Considerations

##### 3.1.4.1. Reuse of Existing Specifications

The shared IPv6 prefix model uses the existing specification and does not require any protocol changes or any new protocols. However, this model requires implementation changes for DAD optimization on the AR.

##### 3.1.4.2. On-link Multicast Support

No native on-link multicast is possible with this method. However, the multicast can be supported with using a backend process in AR that maintains the multicast members list and forwards the multicast packets to the MSs belonging to a particular multicast group in a unicast manner. MLD snooping [7] should be used for maintaining the multicast members list.

##### 3.1.4.3. Consistency in IP Link Definition

The definition of an IPv6 link is consistent for all procedures and functionalities except for the support of native on-link multicast support.

##### 3.1.4.4. Packet Forwarding

All the packets travel to the AR before being delivered to the final destination as the layer 2 transport connection exists between the MS and AR. The AR normally handles the packets with external IPv6 addresses. However, the packets with link local destination addresses are relayed by the AR to the destination without decrementing the hop-limit.

##### 3.1.4.5. Changes to Host Implementation

This link model does not require any implementation changes for the host implementation.

3.1.4.6. Changes to Router Implementation

This link model requires MLD snooping in the AR for supporting Relay DAD.

3.1.5. Applicability

This model is good for providing shared on-link services in conjunction with the IP convergence sublayer with IPv6 classifiers. However, in public access networks like cellular networks, this model cannot be used for the end users to share any of their personal devices/services with the public.

This link model was also under consideration of the WiMAX Forum Network Working Group for use with IPv6 CS (Convergence Sublayer) access.

3.2. Point-to-Point Link Model

In this model, a set of MAC transport connections between an MS and an AR are treated as a single link. The point-to-point link model follows the recommendations of [8]. In this model, each link between an MS and an AR is allocated a separate, unique prefix or a set of unique prefixes by the AR. No other node under the AR has the same prefixes on the link between it and the AR. The following diagram illustrates this model.

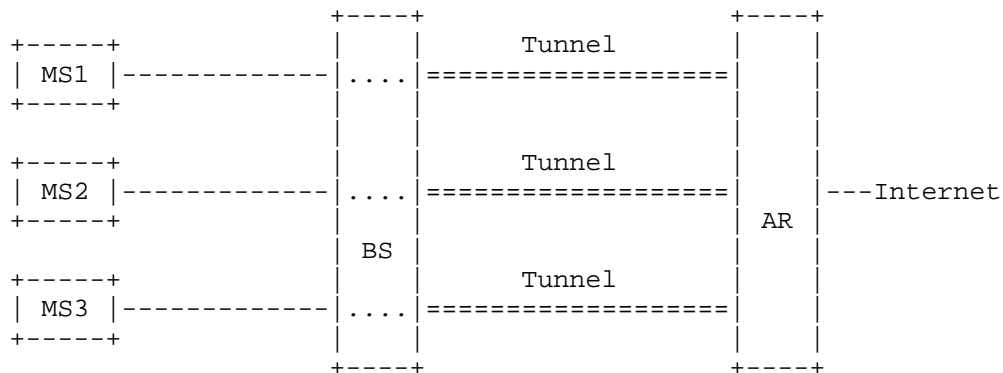


Figure 3. Point-to-Point Link Model

There are multiple possible ways that the point-to-point link between the AR and the MS can be implemented.

1. One way to accomplish this is to run PPP on the link [8]. Running PPP requires that the IEEE 802.16 link use the Ethernet CS and PPP over Ethernet [9]. Since the IPv6 CS does not support PPP, whether PPP can be run depends on the network architecture.
2. If the actual physical medium is shared, like Ethernet, but PPP is not run, the link can be made point to point between the MS and AR by having each MS on a separate VLAN [11].
3. If neither PPP nor VLAN is used, the set of IEEE 802.16 connections can be viewed as a virtual point-to-point link.

#### 3.2.1. Prefix Assignment

Prefixes are assigned to the link using the standard [1] Router Advertisement mechanism. The AR assigns a unique prefix or a set of unique prefixes for each MS. In the prefix information options, both the A-flag and L-flag are set to 1, as they can be used for address autoconfiguration and the prefixes are on the link.

#### 3.2.2. Address Autoconfiguration

MSs perform link local as well as global address autoconfiguration exactly as specified in [2], including duplicate address detection. Because there is only one other node on the link, the AR, there is only a possibility of an address conflict with the AR, so collisions are statistically very unlikely, and easy to fix if they should occur.

If DHCP is used for address configuration ('M=1' in the Router Advertisement), the DHCP server must provide addresses with a separate prefix per MS. The prefix must of course match a prefix that the ASN Gateway has advertised to the MS (if any).

#### 3.2.3. Considerations

##### 3.2.3.1. Reuse of Existing Specifications

This solution reuses RFC 2461, 2462, and, if PPP is used, RFC 2472 and RFC 2516. No changes in these protocols are required; the protocols must only be configured properly.

If PPP is not used, any VLAN solution, such as IEEE 802.1Q [9] or any L2 tunnel, can be used.



#### 3.2.3.2. On-link Multicast Support

Since the link between the MS and the AR is point to point, any multicast can only be sent by one or the other node. Link local multicast between other nodes and the AR will not be seen.

#### 3.2.3.3. Consistency in IP Link Definition

The IP link is fully consistent with a standard IP point-to-point link, without exception.

#### 3.2.3.4. Packet Forwarding

The MS always sends all packets to the AR because it is the only other node on the link. Link local unicast and multicast packets are also forwarded only between the two.

#### 3.2.3.5. Changes to Host Implementation

Host implementations follow standard IPv6 stack procedures. No changes are needed.

#### 3.2.3.6. Changes to Router Implementation

If PPP is used, no changes in router implementations are needed. If PPP is not used, the AR must be capable of doing the following:

1. Each MS is assigned a separate VLAN when IEEE 802.1X [12] or each MS must have an L2 tunnel to the AR to aggregate all the connections to the MS and present these set of connections as an interface to the IPv6 layer.
2. The AR must be configured to include a unique prefix or a set of prefixes for each MS. This unique prefix or set of prefixes must be included in Router Advertisements every time they are sent, and if DHCP is used, the addresses leased to the MS must include only the uniquely advertised prefixes.

Note that, depending on the router implementation, these functions may or may not be possible with simple configuration. No protocol changes are required, however.

#### 3.2.4. Applicability

In enterprise networks, shared services including printers, fax machines, and other such online services are often available on the local link. These services are typically discovered using some kind of link local service discovery protocol. The unique prefix per MS

model is not appropriate for these kinds of deployments, since it is not possible to have shared link services in the ASN.

The p2p link model is applicable to deployments where there are no shared services in the ASN. Such deployments are typical of service provider networks like cellular networks, which provide public access to wireless networks.

### 3.3. Ethernet-Like Link Model

This model describes a scheme for configuration and provisioning of an IEEE 802.16 network so that it emulates a broadcast link in a manner similar to Ethernet. Figure 4 illustrates an example of the Ethernet model. This model essentially functions like an Ethernet link, which means the model works as described in [1], [2].

One way to construct an Ethernet-like link is to implement bridging [13] between BSs and an AR, like a switched Ethernet. In Figure 4, bridging performs link aggregation between BSs and an AR. Bridging also supports multicast packet filtering.

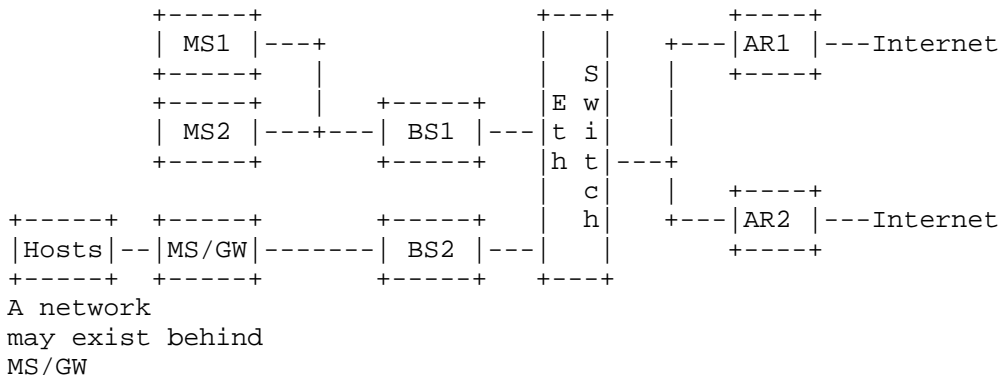


Figure 4: Ethernet Like Link Model

#### 3.3.1. Prefix Assignment

Prefixes are assigned as specified in [1], [2].

#### 3.3.2. Address Autoconfiguration

It is the same as described in [2].

#### 3.3.3. Duplicate Address Detection

It is the same as described in [2].

### 3.3.4. Considerations

#### 3.3.4.1. Reuse of Existing Specifications

All the IPv6 standards can be preserved or reused in this model.

#### 3.3.4.2. On-link Multicast Support

On-link multicast can be emulated in a unicast manner by efficiently bridging between all BSs with IEEE 802.16 providing the links between the MSs and the bridge on top of the BS. MLD snooping should be used for efficient forwarding of multicast packets as specified in [7]. Nevertheless, in case of bridging, direct inter-MSs communication may not be not allowed due to restrictions from the service providers.

#### 3.3.4.3. Consistency in IP Link Definition

This model is consistent with the IP link definition.

#### 3.3.4.4. Packet Forwarding

When properly configured and assisted by simple bridging, IEEE 802.16 can emulate a simple broadcast network like Ethernet.

#### 3.3.4.5. Changes to Host Implementation

No special impact on host implementation.

#### 3.3.4.6. Changes to Router Implementation

No special impact on router implementation under a separated AR-BS model, if the bridging is implemented in BS. Some networks, e.g., WiMAX networks, may require bridging to be implemented in the AR (ASN Gateway).

### 3.3.5. Applicability

This model works with the Ethernet CS and is chosen for fixed/nomadic WiMAX networks by the WiMAX Forum Network Working Group.

## 4. Renumbering

If the downstream prefixes managed by the AR are involved in renumbering, it may be necessary to renumber each link under the AR. [10] discusses recommended procedures for renumbering.

If the prefixes are advertised in RAs, the AR must withdraw the existing prefixes and advertise the new ones. Since each MS,

irrespective of the link model, is on a separate point-to-point link at the MAC level because of the IEEE 802.16 connection oriented architecture, the AR must send an RA withdrawing the old prefix and advertising the new one to each link. In a point-to-point link model, the number of RAs sent is equal to the number of nodes the AR serves, whereas in the other two models, the AR sends a single RA to BS that is sent to all the MSs as separate RAs.

If DHCP is used to assign addresses, either the DHCP address lease lifetime may be reduced prior to the renumbering event to encourage MSs to renew their addresses quickly, or a DHCP Reconfigure message may be sent to each of the MSs by the server to cause them to renew their addresses.

In conclusion, the amount of traffic on the air-interface is the same for all link models. However, the number of RAs sent by the AR to BS can be better compared to the other two models.

#### 5. Effect on Dormant Mode

If the network needs to deliver packets to an MS, which is in dormant mode, the AR pages the MS. The MS that is monitoring the paging channel receives the page and transitions out of the dormant mode to active mode. It establishes connectivity with the network by requesting and obtaining the radio resources. The network is then able to deliver the packets to the MS. In many networks, packets destined to an MS in dormant mode are buffered at the AR in the network until connectivity is established.

Support for dormant MSs is critical in mobile networks, hence it is a necessary feature. Paging capability and optimizations possible for paging an MS are neither enhanced nor handicapped by the link model itself. However, the multicast capability within a link may cause for an MS to wake up for an unwanted packet. This can be avoided by filtering the multicast packets and delivering the packets to only for MSs that are listening for particular multicast packets. As the Shared IPv6 Prefix model does not have the multicast capability and the point-to-point link model has only one node on the link, neither has any effect on the dormant mode. The Ethernet-like link model may have the multicast capability, which requires filtering at the BS to support the dormant mode for the MSs.

#### 6. Effect on Routing

The model used in an IEEE 802.16 network may have a significant impact on how routing protocols are run over such a network. The deployment model presented in this document discusses the least impacting model on routing as connectivity on the provider edge is

intentionally limited to point-to-point connectivity from one BS to any one of multiple MSs. Any other deployment model may cause a significant impact on routing protocols, however, they are outside the scope of this document.

## 7. Conclusions and Relevant Link Models

Ethernet-Like Link models would be used when the deployment requires the use of Ethernet CS, as this is the only model being proposed for the Ethernet CS and running IPv6 over Ethernet is well understood.

For IP CS with IPv6 classifiers, a point-to-point link model appears to be the choice because of its simplicity for performing the DAD and because it does not break any existing applications nor requires defining any new protocol. However, the IPv6 shared prefix model would be defined if there is any interest from the service provider community.

## 8. Security Considerations

This document provides the analysis of various IPv6 link models for IEEE 802.16 based networks, and as such does not introduce any new security threats. No matter what the link model is, the networks employ the same link-layer security mechanisms defined in [5]. However, the chosen link model affects the scope of link local communication, and this may have security implications for protocols that are designed to work within the link scope. This is the concern for a shared link model compared with other models wherein private resources e.g., personal printer, cannot be put onto a public WiMAX network. This may restrict the usage of a shared prefix model to enterprise environments. The Neighbor Discovery related security issues are document in [1] [2] and these are applicable for all the models described in this document. The model specific security considerations are documented in their respective protocol specifications.

## 9. Acknowledgements

This document is a result of discussions in the v6subnet design team for IPv6 Prefix Model Analysis. The members of this design team are (in alphabetical order): Dave Thaler, David Johnston, Junghoon Jee, Max Riegel, Myungki Shin and Syam Madanapalli. The discussion in the DT was benefited from the active participation of James Kempf, Behcet Sarikaya, Basavaraj Patil and JinHyeock Choi in the DT mailing list. The DT thanks the chairs (Gabriel Montenegro and Soohong Daniel Park) and Shepherding AD (Jari Arkko) for their active participation and motivation.

## 10. Contributors

The members who provided the text based on the DT discussion are:

Myung-Ki Shin  
ETRI  
EMail: myungki.shin@gmail.com

James Kempf  
DoCoMo Communications Labs USA  
EMail: kempf@docomolabs-usa.com

Soohong Daniel Park  
Samsung Electronics  
EMail: soohong.park@samsung.com

Dave Thaler  
Microsoft  
EMail: dthaler@microsoft.com

JinHyeock Choi  
Samsung Advanced Institute of Technology  
EMail: jinchoe@samsung.com

Behcet Sarikaya  
Huawei USA  
EMail: sarikaya@ieee.org

## 11. References

### 11.1. Normative References

- [1] Narten, T., Nordmark, E., and W. Simpson, "Neighbor Discovery for IP Version 6 (IPv6)", RFC 2461, December 1998.
- [2] Thomson, S. and T. Narten, "IPv6 Stateless Address Autoconfiguration", RFC 2462, December 1998.
- [3] Droms, R., Bound, J., Volz, B., Lemon, T., Perkins, C., and M. Carney, "Dynamic Host Configuration Protocol for IPv6 (DHCPv6)", RFC 3315, July 2003.

### 11.2. Informative References

- [4] "IEEE 802.16-2004, IEEE standard for Local and metropolitan area networks, Part 16:Air Interface for fixed broadband wireless access systems", October 2004.

- [5] "IEEE 802.16e, IEEE standard for Local and metropolitan area networks, Part 16:Air Interface for fixed and Mobile broadband wireless access systems", October 2005.
- [6] Jee, J., "IP over IEEE 802.16 Problem Statement and Goals", Work in Progress, October 2006.
- [7] Christensen, M., Kimball, K., and F. Solensky, "Considerations for Internet Group Management Protocol (IGMP) and Multicast Listener Discovery (MLD) Snooping Switches", RFC 4541, May 2006.
- [8] Wasserman, M., "Recommendations for IPv6 in Third Generation Partnership Project (3GPP) Standards", RFC 3314, September 2002.
- [9] Mamakos, L., Lidl, K., Evarts, J., Carrel, D., Simone, D., and R. Wheeler, "A Method for Transmitting PPP Over Ethernet (PPPoE)", RFC 2516, February 1999.
- [10] Baker, F., Lear, E., and R. Droms, "Procedures for Renumbering an IPv6 Network without a Flag Day", RFC 4192, September 2005.
- [11] "IEEE, Virtual Bridged Local Area Networks, IEEE 802.1Q", May 2003.
- [12] "IEEE, Port-based Network Access Control, IEEE 802.1X", December 2004.
- [13] "IEEE Std 802.1D-2004, "IEEE Standard for Local and metropolitan area networks, Media Access Control (MAC) Bridges"", June 2004.
- [14] "WiMAX End-to-End Network Systems Architecture", March 2007, <<http://www.wimaxforum.org/technology/documents>>.

#### Author's Address

Syam Madanapalli (editor)  
Ordyn Technologies  
1st Floor, Creator Building, ITPL  
Bangalore - 560066  
India

EEmail: [smadanapalli@gmail.com](mailto:smadanapalli@gmail.com)

## Full Copyright Statement

Copyright (C) The IETF Trust (2007).

This document is subject to the rights, licenses and restrictions contained in BCP 78, and except as set forth therein, the authors retain all their rights.

This document and the information contained herein are provided on an "AS IS" basis and THE CONTRIBUTOR, THE ORGANIZATION HE/SHE REPRESENTS OR IS SPONSORED BY (IF ANY), THE INTERNET SOCIETY, THE IETF TRUST AND THE INTERNET ENGINEERING TASK FORCE DISCLAIM ALL WARRANTIES, EXPRESS OR IMPLIED, INCLUDING BUT NOT LIMITED TO ANY WARRANTY THAT THE USE OF THE INFORMATION HEREIN WILL NOT INFRINGE ANY RIGHTS OR ANY IMPLIED WARRANTIES OF MERCHANTABILITY OR FITNESS FOR A PARTICULAR PURPOSE.

## Intellectual Property

The IETF takes no position regarding the validity or scope of any Intellectual Property Rights or other rights that might be claimed to pertain to the implementation or use of the technology described in this document or the extent to which any license under such rights might or might not be available; nor does it represent that it has made any independent effort to identify any such rights. Information on the procedures with respect to rights in RFC documents can be found in BCP 78 and BCP 79.

Copies of IPR disclosures made to the IETF Secretariat and any assurances of licenses to be made available, or the result of an attempt made to obtain a general license or permission for the use of such proprietary rights by implementers or users of this specification can be obtained from the IETF on-line IPR repository at <http://www.ietf.org/ipr>.

The IETF invites any interested party to bring to its attention any copyrights, patents or patent applications, or other proprietary rights that may cover technology that may be required to implement this standard. Please address the information to the IETF at [ietf-ipr@ietf.org](mailto:ietf-ipr@ietf.org).

## Acknowledgement

Funding for the RFC Editor function is currently provided by the Internet Society.